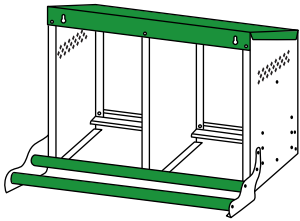


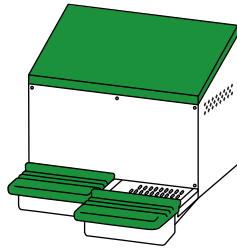
# CHICKEN NESTING BOX

## REVERSE ASSEMBLY INSTRUCTIONS

2R



**HEN SIDE**  
(HEN ENTRANCE SIDE W/ KEYHOLES)



**COLLECTION SIDE**  
(EGG COLLECTION SIDE)

\*Ensure box is properly oriented (Hen vs. Collection Side) throughout assembly.



**CAUTION: EDGES MAY BE SHARP. WEAR PROTECTIVE GLOVES TO AVOID INJURY.**  
Cover work area to protect both work surface and nesting box from scratches.

**ASSEMBLY TIME** (with Two People): ~45 minutes

**ADDITIONAL TOOLS NEEDED** (Not Included): Work Gloves, Phillips Screwdriver, 5/16" Hex Wrench (Optional)

### INCLUDED IN THIS KIT:

\*Hardware quantities shown reflects pieces needed, there may be extras.



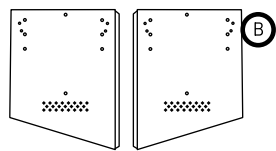
PHILLIPS ROUND WASHER HEAD SCREWS (20)



SERRATED FLANGE HEX LOCK NUTS (16)



GREEN ROOF



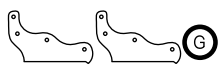
VENTED SIDE PANELS (2)



BASKET TOP (THICK NOTCH)



BASKET STOP (THIN NOTCH)



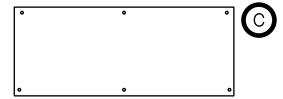
PERCH ROD BRACKETS (2)



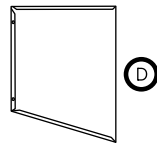
ANCHORS (2)



L-SCREW HOOKS (2)



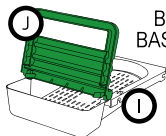
FLAT COLLECTION SIDE PANEL



DIVIDER PANEL



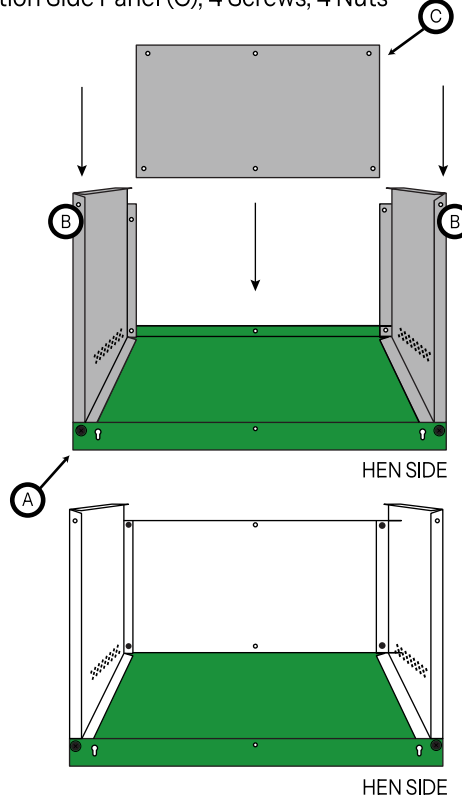
PERCH RODS (2)



BASKET LIDS (2)  
BASKET TRAYS (2)

### STEP 1: ASSEMBLE EXTERIOR FRAME

You Will Need: Roof Panel (A), 2 Vented Side Panels (B), Collection Side Panel (C), 4 Screws, 4 Nuts



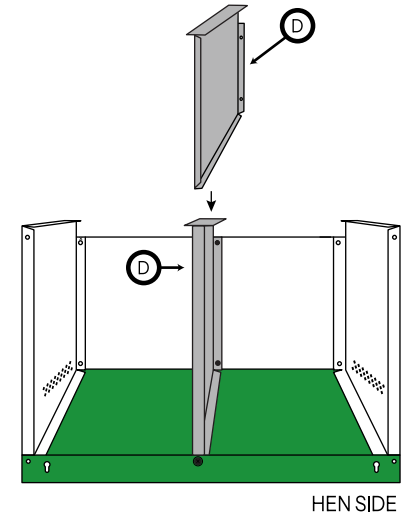
### Instructions:

1. Set **Roof Panel (A)** flat side down on a protected work surface, with the Hen Side (keyhole side) facing the front.
2. Slide one **Vented Side Panel (B)** into each side of the **Roof Panel (A)**, flat vented side outward, with the notched end on the Collection Side and the unnotched end on the Hen Side. Align the bottom corner holes on the Hen Side, then insert screws from the outside, secure with nuts on the inside, and loosely tighten.
3. Reposition the partially assembled exterior frame so the Collection Side is facing the front. On the Collection Side, align all four screw holes of the **Flat Collection Side Panel (C)** with the **Roof Panel (A)**. Slide the panel into place between the roof panel and **Vented Side Panels (B)**. Align the bottom corner holes, then insert screws from the outside, secure with nuts on the inside, and loosely tighten.

*Tip: If holes do not align, rotate or flip the panel as needed.*

### STEP 2: ATTACH THE DIVIDER PANEL

You Will Need: Assembled Exterior Frame, Divider Panel (D), 2 Screws, 2 Nuts



### Instructions:

1. Reposition the assembled exterior frame so the Hen Side is facing the front.
  2. Slide **Divider Panel (D)** into the **Roof Panel (A)**, with the notched end on the Collection Side and the unnotched end on the Hen Side. Align the bottom screw hole with the corresponding hole in the roof panel, then insert screws from both the Hen Side and Collection Side, secure with nuts on the inside, and loosely tighten.
- Tip: Do not install screws in the top hole at this time.*
3. After installing **Divider Panel (D)**, fully tighten all screws and nuts on the frame.

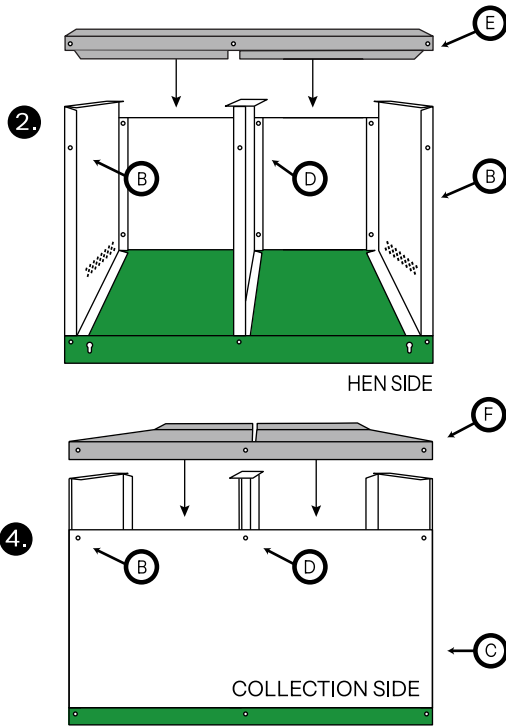


www.homesteadessentials.com

HEPS-2002-RV ASM0426

### STEP 3: ATTACH THE BASKET TOP & BASKET STOP

You Will Need: Assembled Exterior Frame, Basket Top (E), Basket Stop (F), 6 Screws, 6 Nuts

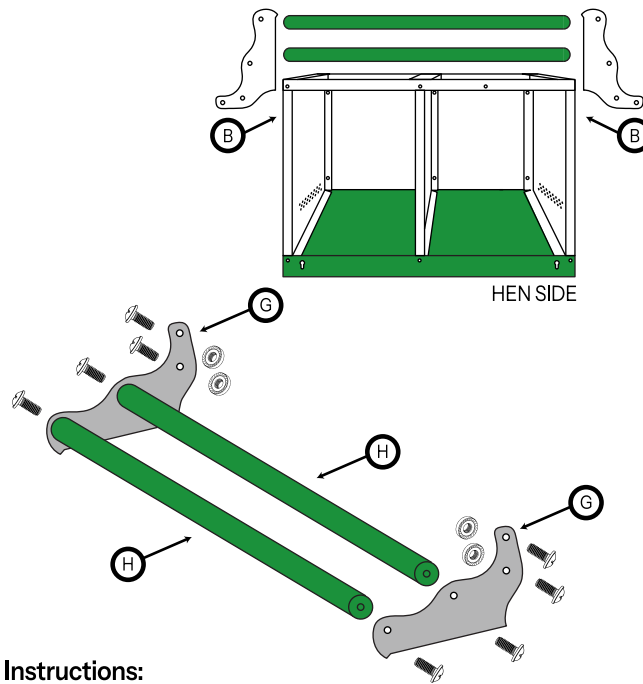


#### Instructions:

1. Continue with the Hen Side facing the front.
2. Slide the **Basket Top (E)** (U-shaped rail with a thick notch) into place, ensuring the notch faces down and engage with **Divider Panel (D)**. Align the end holes with the **Vented Side Panels (B)** and the center holes with the divider panel. Insert screws from outside, secure with nuts inside, and loosely tighten.
3. Reposition the assembled exterior frame so the **Collection Side** is facing the front.
4. Slide the **Basket Stop (F)** (rail with a thin notch) into place, ensuring the notch engages with **Divider Panel (D)**. Align the end holes with the **Flat Collection Side Panel (C)** and **Vented Side Panels (B)**, and the center holes with the **Collection Side Panels** and **Divider Panel**. Insert screws from the outside, secure with nuts on the inside, and loosely tighten.
5. After installing the basket top and basket stop, fully tighten all screws and nuts securing both components.

### STEP 4: ATTACH THE PERCH RODS (OPTIONAL)

You Will Need: Assembled Exterior Frame, 2 Perch Brackets (G), 2 Perch Rods (H), 8 Screws, 4 Nuts

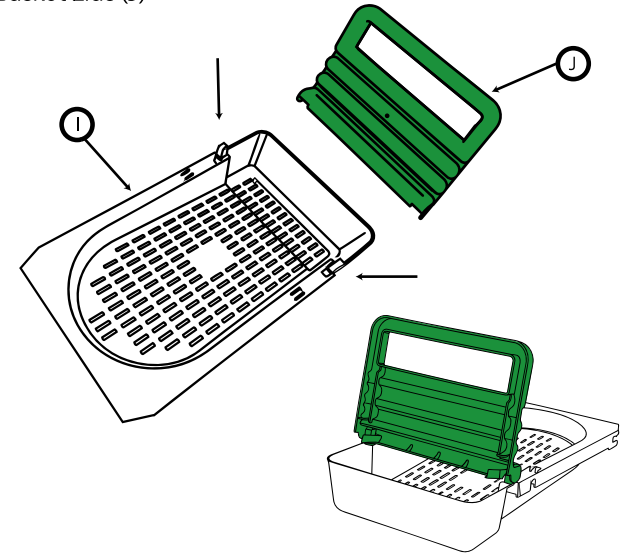


#### Instructions:

1. Reposition the assembled exterior frame so the **Hen Side** is facing the front.
2. Position each **Perch Bracket (G)** at the top corner of each **Side Panel (B)**, with the flat side facing outward and the L-shaped edge engaging the frame. Align the holes, then insert screws from the outside, secure with nuts on the inside, and loosely tighten.
3. Position one **Perch Rod (H)** between each **Perch Bracket (G)**, aligning it with the holes closest to the **Hen Side**. Insert screws from the outside of the perch bracket into the perch rod, then loosely tighten.
4. Repeat to install the second perch rod using the remaining holes.
5. After installing the perch rods, fully tighten all screws and nuts securing the perch rods and perch brackets.

### STEP 5: ASSEMBLE & INSTALL THE BASKETS

You Will Need: Assembled Exterior Frame, Basket Trays (I), Basket Lids (J)



#### Instructions:

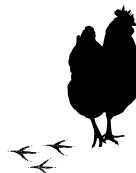
1. Attach each **Basket Lid (J)** to the **Basket Tray (I)** by inserting the lid's hinge pins into the hinge recesses on both sides of the tray. Repeat for both baskets.

*Tip: Press the tray inward as needed to align and insert the lid's hinge pins on both sides.*

2. Reposition the assembled exterior frame so the **Collection Side** is facing the front.
3. Turn each assembled **Basket Tray (I)** so the basket side faces down. From the **Collection Side**, slide each tray onto the guardrails with the lids facing outward until it **clicks into place**.
4. Turn the chicken nesting box right side up.

**Assembly is complete and ready for installation.**

*Tip: Anchors (4) and L-Screw Hooks (4) should be reserved for coop side mounting applications using the keyholes located on the **Roof Panel (A)**.*



VIEW ON MOBILE



www.homesteadessentials.com

HEPS-2002-RV ASM0426