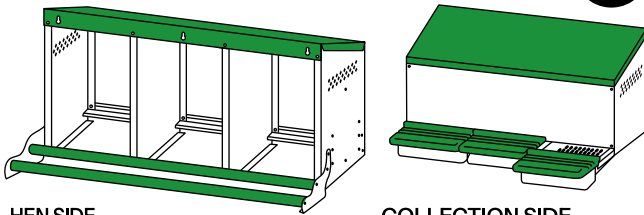


CHICKEN NESTING BOX

REVERSE ASSEMBLY INSTRUCTIONS

3R



HEN SIDE
(HEN ENTRANCE SIDE W/ KEYHOLES)

COLLECTION SIDE
(EGG COLLECTION SIDE)

*Ensure box is properly oriented (Hen vs. Collection Side) throughout assembly.



CAUTION: EDGES MAY BE SHARP. WEAR PROTECTIVE GLOVES TO AVOID INJURY.
Cover work area to protect both work surface and nesting box from scratches.

ASSEMBLY TIME (with Two People): ~45 minutes

ADDITIONAL TOOLS NEEDED (Not Included): Work Gloves, Phillips Screwdriver, 5/16" Hex Wrench (Optional)

INCLUDED IN THIS KIT:

*Hardware quantities shown reflects pieces needed, there may be extras.

PHILLIPS ROUND WASHER HEAD SCREWS (24)

ANCHORS (3)

SERRATED FLANGE HEX LOCK NUTS (24)

L-SCREW HOOKS (3)

GREEN ROOF (A)

FLAT COLLECTION SIDE PANEL (C)

VENTED SIDE PANELS (2) (B)

DIVIDER PANELS (2) (D)

BASKET TOP (THICK NOTCHES) (E)

PERCH RODS (2) (H)

BASKET STOP (THIN NOTCHES) (F)

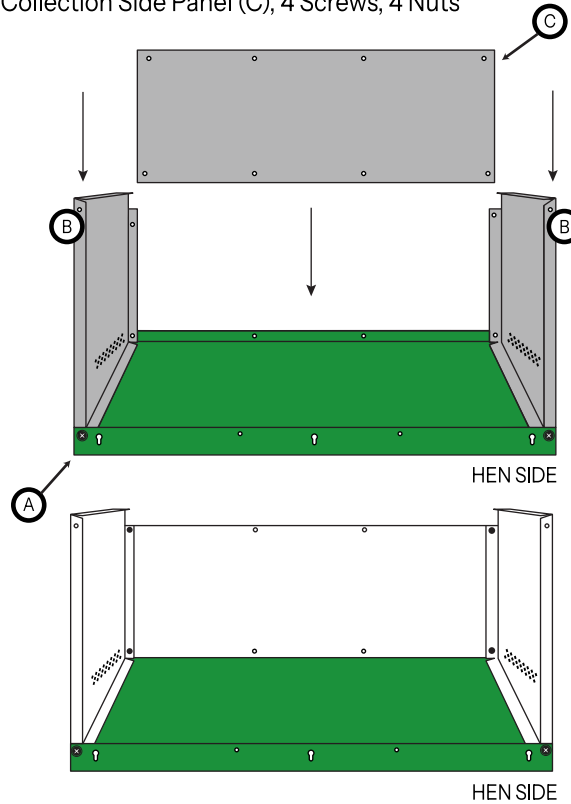
BASKET LIDS (3) (J)

PERCH ROD BRACKETS (2) (G)

BASKET TRAYS (3) (I)

STEP 1: ASSEMBLE EXTERIOR FRAME

You Will Need: Roof Panel (A), 2 Vented Side Panels (B), Collection Side Panel (C), 4 Screws, 4 Nuts



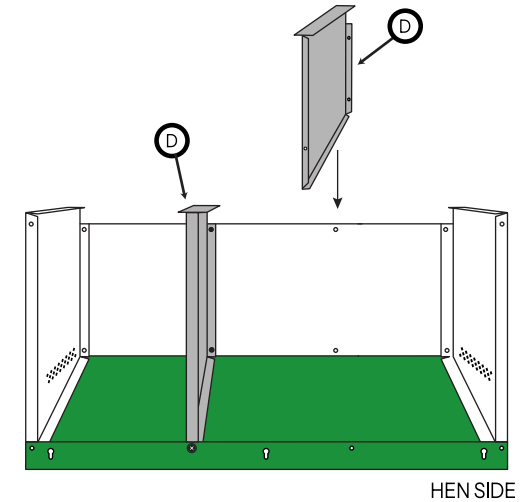
Instructions:

1. Set **Roof Panel (A)** flat side down on a protected work surface, with the Hen Side (keyhole side) facing the front.
2. Slide one **Vented Side Panel (B)** into each side of the **Roof Panel (A)**, flat vented side outward, with the notched end on the Collection Side and the unnotched end on the Hen Side. Align the bottom corner holes on the Hen Side, then insert screws from the outside, secure with nuts on the inside, and loosely tighten.
3. Reposition the partially assembled exterior frame so the Collection Side is facing the front. On the Collection Side, align all four screw holes of the **Flat Collection Side Panel (C)** with the **Roof Panel (A)**. Slide the panel into place between the roof panel and **Vented Side Panels (B)**. Align the bottom corner holes, then insert screws from the outside, secure with nuts on the inside, and loosely tighten.

Tip: If holes do not align, rotate or flip the panel as needed.

STEP 2: ATTACH THE DIVIDER PANELS

You Will Need: Assembled Exterior Frame, 2 Divider Panels (D), 4 Screws, 4 Nuts



Instructions:

1. Reposition the assembled exterior frame so the Hen Side is facing the front.
 2. Slide each **Divider Panel (D)** into the **Roof Panel (A)**, with the notched end on the Collection Side and the unnotched end on the Hen Side. Align the bottom screw holes with the corresponding holes in the roof panel, then insert screws from both the Hen Side and Collection Side, secure with nuts on the inside, and loosely tighten.
- Tip: Do not install screws in the top holes at this time.*
3. After installing both **Divider Panels (D)**, fully tighten all screws and nuts on the frame.



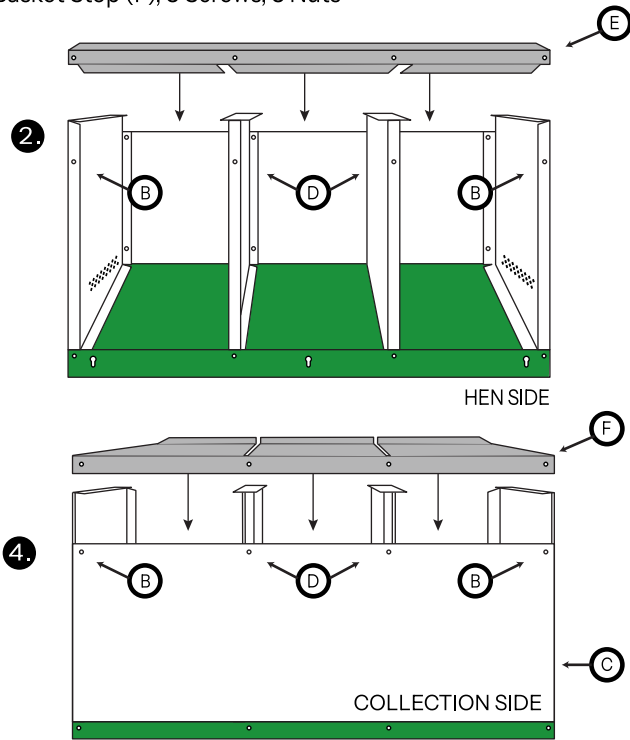
www.homesteadessentials.com

HEPS-2003-RV ASM0426

1

STEP 3: ATTACH THE BASKET TOP & BASKET STOP

You Will Need: Assembled Exterior Frame, Basket Top (E), Basket Stop (F), 8 Screws, 8 Nuts

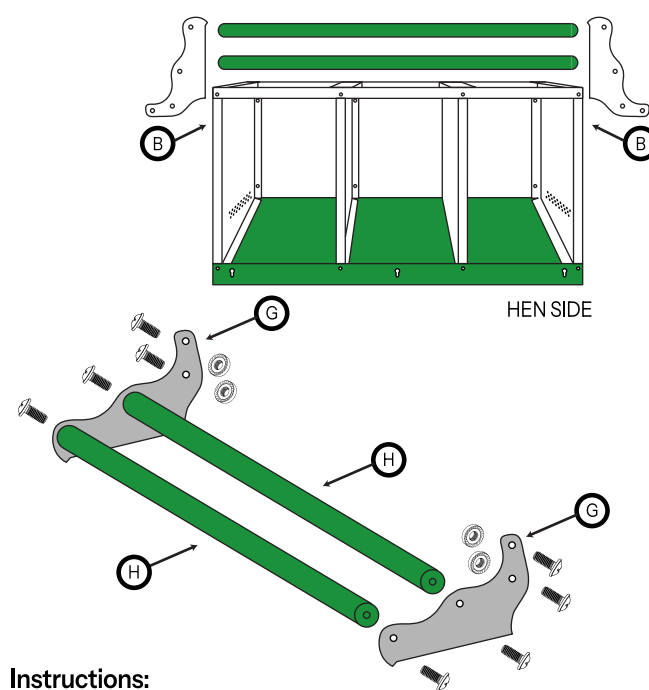


Instructions:

1. Continue with the Hen Side facing the front.
2. Slide the **Basket Top (E)** (U-shaped rail with two thick notches) into place, ensuring the notches face down and engage with each **Divider Panel (D)**. Align the end holes with the **Vented Side Panels (B)** and the center holes with the divider panels. Insert screws from outside, secure with nuts inside, and loosely tighten.
3. Reposition the assembled exterior frame so the Collection Side is facing the front.
4. Slide the **Basket Stop (F)** (rail with two thin notches) into place, ensuring the notches engage with each **Divider Panel (D)**. Align the end holes with the **Flat Collection Side Panel (C)** and **Vented Side Panels (B)**, and the center holes with the Collection Side Panels and Divider Panels. Insert screws from the outside, secure with nuts on the inside, and loosely tighten.
5. After installing the basket top and basket stop, fully tighten all screws and nuts securing both components.

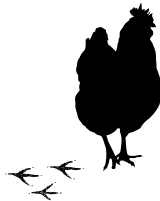
STEP 4: ATTACH THE PERCH RODS (OPTIONAL)

You Will Need: Assembled Exterior Frame, 2 Perch Brackets (G), 2 Perch Rods (H), 8 Screws, 4 Nuts



Instructions:

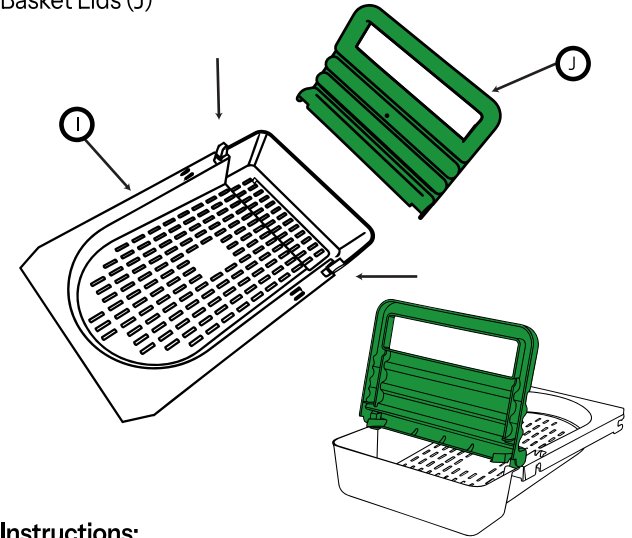
1. Reposition the assembled exterior frame so the Hen Side is facing the front.
2. Position each **Perch Bracket (G)** at the top corner of each **Side Panel (B)**, with the flat side facing outward and the L-shaped edge engaging the frame. Align the holes, then insert screws from the outside, secure with nuts on the inside, and loosely tighten.
3. Position one **Perch Rod (H)** between each **Perch Bracket (G)**, aligning it with the holes closest to the Hen Side. Insert screws from the outside of the perch bracket into the perch rod, then loosely tighten.
4. Repeat to install the second perch rod using the remaining holes.
5. After installing the perch rods, fully tighten all screws and nuts securing the perch rods and perch brackets.



VIEW ON MOBILE

STEP 5: ASSEMBLE & INSTALL THE BASKETS

You Will Need: Assembled Exterior Frame, Basket Trays (I), Basket Lids (J)



Instructions:

1. Attach each **Basket Lid (J)** to the **Basket Tray (I)** by inserting the lid's hinge pins into the hinge recesses on both sides of the tray. Repeat for all three baskets.

Tip: Press the tray inward as needed to align and insert the lid's hinge pins on both sides.

2. Reposition the assembled exterior frame so the Collection Side is facing the front.
3. Turn each assembled **Basket Tray (I)** so the basket side faces down. From the Collection Side, slide each tray onto the guardrails with the lids facing outward until it **clicks into place**.
4. Turn the chicken nesting box right side up.

Assembly is complete and ready for installation.

Tip: Anchors (4) and L-Screw Hooks (4) should be reserved for coop side mounting applications using the keyholes located on the Roof Panel (A).



www.homesteadessentials.com

HEPS-2003-RV ASM0426